

Temposonics®

磁致伸缩线性位移传感器

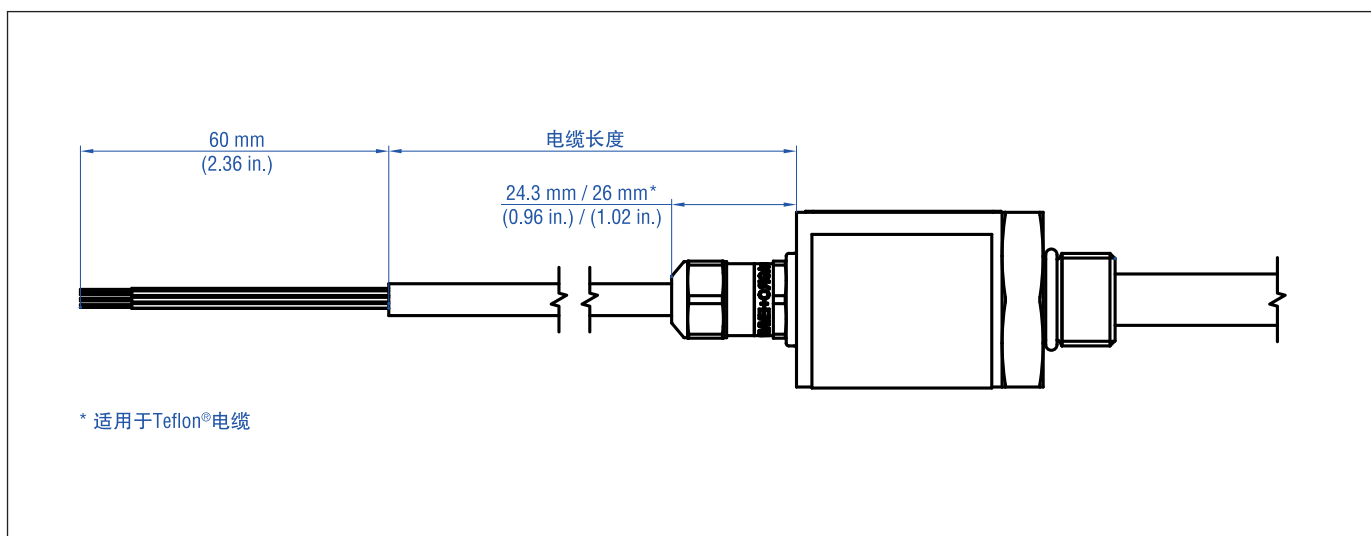
带电缆出口的EH系列传感器
数据表补充内容



通知

下列技术规范分别作为EH模拟传感器、start/stop传感器551247、EH CANopen 551296以及EH SSI 551297等文件中数据的补充内容, 并将取代这些内容。

技术图纸



接头布线

电缆	模拟传感器	Start/Stop传感器	CANopen传感器	SSI传感器
灰色	信号	Stop (-)	CAN_L	数据 (-)
粉红色	接地端 (信号)	Stop (+)	CAN_H	数据 (+)
黄色	2.信号	Start (+)	不接	时钟 (+)
绿色	不接	Start (-)	不接	时钟 (-)
棕色	+24 VDC	+24 VDC	+24 VDC	+24 VDC
白色	接地端 (电源)	接地端 (电源)	接地端 (电源)	接地端 (电源)

订购代码

E	H					M	E				输出
a		b		c				d		e	f

a 传感器型号

E	H	杆状传感器
---	---	-------

b 性能

参阅EH数据表SSI、CANopen、模拟以及Start/Stop传感器项		
---------------------------------------	--	--

c 行程长度

参阅EH数据表SSI、CANopen、模拟以及Start/Stop传感器项		
---------------------------------------	--	--

d 接头类型

E	H	1	2 m PUR电缆 530 166, 3 × 2 × 0.14
E	H	2	5 m PUR电缆 530 166, 3 × 2 × 0.14
E	H	3	10 m PUR电缆 530 166, 3 × 2 × 0.14
E	H	4	15 m PUR电缆 530 166, 3 × 2 × 0.14
E	T	1	2 m Teflon®电缆 530 157, 3 × 2 × 0.14
E	T	2	5 m Teflon®电缆 530 157, 3 × 2 × 0.14
E	T	3	10 m Teflon®电缆 530 157, 3 × 2 × 0.14
E	T	4	15 m Teflon®电缆 530 157, 3 × 2 × 0.14

e 工作电压

参阅EH数据表SSI、CANopen、模拟以及Start/Stop传感器项		
---------------------------------------	--	--

f 输出

参阅EH数据表SSI、CANopen、模拟以及Start/Stop传感器项		
---------------------------------------	--	--

Document Part Number:

551660 Revision A (CN) 04/2015

LOCATIONS

USA

**MTS Systems Corporation
Sensors Division**

3001 Sheldon Drive
Cary, N.C. 27513, USA
Tel. +1 919 677-0100
Fax +1 919 677-0200
info.us@mtssensors.com
www.mtssensors.com

JAPAN

MTS Sensors Technology Corp.

737 Aihara-machi,
Machida-shi,
Tokyo 194-0211, Japan
Tel. +81 42 775-3838
Fax +81 42 775-5512
info.jp@mtssensors.com
www.mtssensors.com

FRANCE

MTS Systems SAS

Zone EUROPARC Bâtiment EXA 16
16/18, rue Eugène Dupuis
94046 Creteil, France
Tel. +33 1 58 4390-28
Fax +33 1 58 4390-03
info.fr@mtssensors.com
www.mtssensors.com

GERMANY

**MTS Sensor Technologie
GmbH & Co. KG**

Auf dem Schüffel 9
58513 Lüdenscheid, Germany
Tel. +49 2351 9587-0
Fax +49 2351 56491
info.de@mtssensors.com
www.mtssensors.com

中国

MTS 传感器

中国上海市钦州北路188号
华京商务大厦504室
邮编: 200233
电话: +86 21 6485 5800
传真: +86 21 6495 6329
info.cn@mtssensors.com
www.mtssensors.com

ITALY

**MTS Systems Srl.
Sensor Division**

Via Diaz, 4
25050 Provaglio d'Iseo (BS), Italy
Tel. +39 030 988 3819
Fax +39 030 982 3359
info.it@mtssensors.com
www.mtssensors.com

LEGAL NOTICES

MTS, Temposonics and Level Plus are registered trademarks of MTS Systems Corporation in the United States; MTS SENSORS and the MTS SENSORS logo are trademarks of MTS Systems Corporation within the United States. These trademarks may be protected in other countries. All other trademarks are the property of their respective owners. Copyright © 2015 MTS Systems Corporation. No license of any intellectual property rights is granted. MTS reserves the right to change the information within this document, change product designs, or withdraw products from availability for purchase without notice. Typographic and graphics errors or omissions are unintentional and subject to correction. Visit www.mtssensors.com for the latest product information. Product change notification alerts are available through the MTS Product Change Management System; register at www.mtssensors.com/PCMS.

ISO 9001
CERTIFIED



Reg.-No. 003095-DN